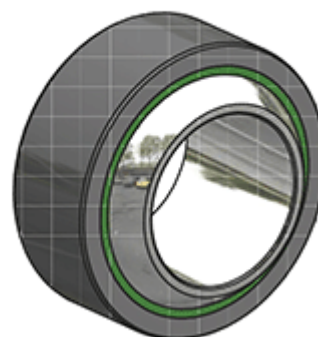
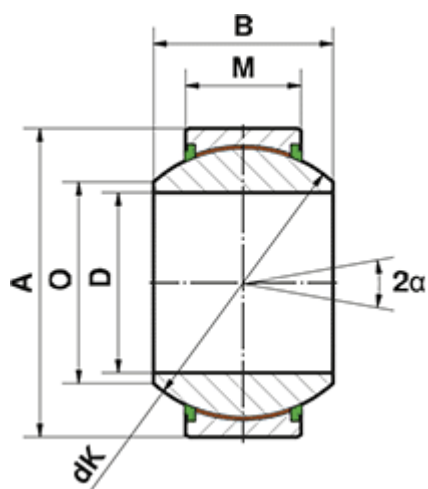


Article number: 03446160

Description: Fluro Heavy Duty Spherical Plain Bearing GE 160 GW-2RS
Hole Ø160

Note: 160

Measures



-	-	Dynamic load C (kN) = 4320
-	M	= 80
-	O	= 180
A	= 260	Static load C0 (kN) = 7200
a (degrees)	= 16	Weight (g) = 24900
B	= 135	
D	= 160	
dK	= 225	